

CERAMIC RESONATOR

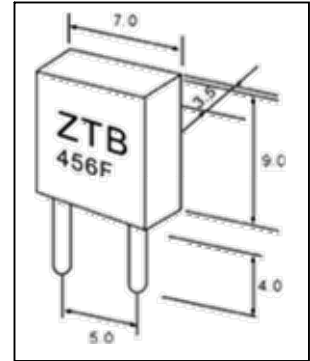
ZTB456/503/500F SERIES

ZTB 456F Series for FM Multiplexers

Technical Characteristics

Part Number 型号	Frequency Accuracy 频率精度	Applicable IC 使用的 IC
ZTB456F11	9.000KHz \pm 38Hz	LA3430 (SANYO)
ZTB456F14	9.000KHz \pm 38Hz	TA7413AP (TOSHINA)
ZTB456F15	456KHz \pm 2KHz	LA1832 (SANYO)
ZTB456F16	9.000KHz \pm 38Hz	TA8122AN (TOSHINA)
ZTB456F18	9.000KHz \pm 38Hz	TA8132AP (TOSHINA)
ZTB456F33	456KHz \pm 2KHz	LA2232 (SANYO)
ZTB456F101	918.50KHz \pm 0.3%	TA7291 (MATSUSHITA)

DIMENSION(mm)



ZTB 503/500F Series for TV Horizontal Synthesizer Circuits

TECHNICAL CHARACTERISTICS

Part Number 型号	Frequency Accuracy 频率精度	Applicable IC 使用的 IC
ZTB503F2	503.5 \pm 2KHz	upC1410 (NEC)
ZTB503F5	504.5 \pm 2KHz	LA7620 (SANYO)
ZTB503F6	519 \pm 2KHz	M51307 (MITSUBISH)
ZTB503F10	15.734KHz \pm 0.5%	TA7777 (TOSHINA)
ZTB503F12	503.5 \pm 2KHz	TDA3856 (THOMSON)
ZTB503F15	505.1 \pm 2KHz	LA7650 (SANYO)
ZTB503F30	503.5 \pm 1.5KHz	TA7654AN (TOSHINA)
ZTB503F38	15.734KHz \pm 62KHz	AN5302 (MATSUSHITA)
ZTB500F2	500.0 \pm 2KHz	upC1401 (NEC)
ZTB500F9	500.0 \pm 2KHz	M51308SP (MITSUBISH)
ZTB50013	500.0 \pm 2KHz	M51367SP (MITSUBISH)
ZTB50028	15.68KHz \pm 0.4%	LA7680 (SANYO)
ZTB50040	15.68KHz \pm 0.4%	LA8691N (TOSHINA)
ZTB50055	15.68KHz \pm 0.4%	LA7685 (SANYO)

DIMENSION (mm)

