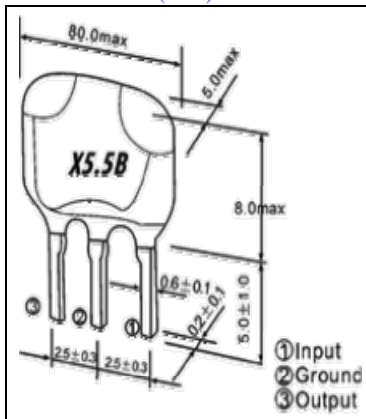


XT SERIES CERAMIC TRAP

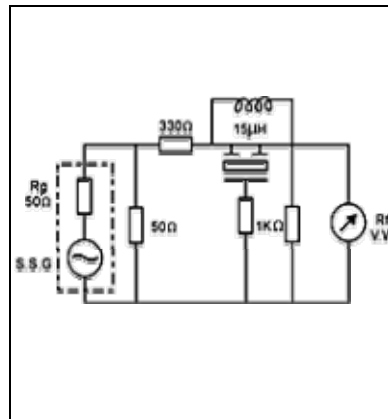
TECHNICAL CHARACTERISTICS

Part Number	Trap Attenuation (at normal frequency) (db)	20db Band Width(KHz) 20db	3db Band Width(KHz) 3db
XT4. 43MB	≥ 25 (40)		≥ 40 (70)
XT4. 5MB	≥ 35 (45)		≥ 50 (80)
XT5. 5MB	≥ 35 (45)		≥ 70 (120)
XT6. 0MB	≥ 35 (45)		≥ 40 (120)
XT6. 5MB	≥ 35 (45)		
XT4. 5MB	20	≥ 30	
XT5. 5MB	20	≥ 30	
XT6. 0MB	20	≥ 30	
XT6. 5MB	20	≥ 30	

DIMENSION (mm)



TEST CIRCUIT



CHARACTERISTICS

