

## LT455(450)...U SERIES

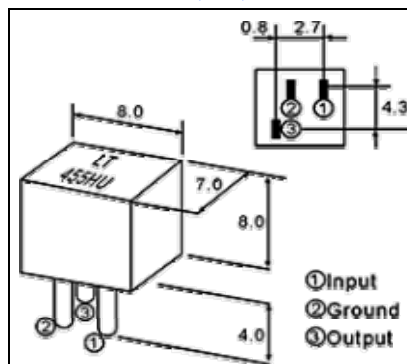
### TECHNICAL CHARACTERISTICS

Center Part Number	Insertion Frequency (KHz)	Pass Band Loss (db) max	6db Ripple (db) max	50db Bandwidth (KHz) min 6db	Stop Band Att. Bandwidth (KHz) max 5db	Input/Output $\pm 100$ KHz (db) min	Impedance ( $\Omega$ )
LT455BW	$455 \pm 2.0$	4	2	$\pm 15$	$\pm 30$	40	1500
LT455CW	$455 \pm 2.0$	4	2	$\pm 12.5$	$\pm 24$	40	1500
LT455DW	$455 \pm 1.5$	4	2	$\pm 10$	$\pm 20$	40	1500
LT455EW	$455 \pm 1.5$	6	2	$\pm 7.5$	$\pm 15$	40	1500
LT455FW	$455 \pm 1.5$	6	2	$\pm 6$	$\pm 12.5$	40	2000
LT455GW	$455 \pm 1.5$	6	2	$\pm 4.5$	$\pm 10$	40	2000
LT455HW	$455 \pm 1.0$	6	2	$\pm 3$	$\pm 9$	40	2000
LT455IW	$455 \pm 1.0$	6	2	$\pm 2$	$\pm 7.5$	40	2000
LT455HTW	$455 \pm 1.0$	6	2	$\pm 3$	$\pm 9$	60	2000

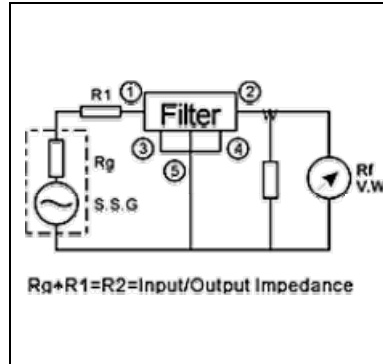
### TECHNICAL CHARACTERISTICS (450KHz Series)

Center Part Number	Insertion Frequency (KHz)	Pass Band Loss (db) max	6db Ripple (db) max	50db Bandwidth (KHz) min 6db	Stop Band Att. Bandwidth (KHz) max 5db	Input/Output $\pm 100$ KHz (db) min	Impedance ( $\Omega$ )
LT450BU	$455 \pm 2.0$	4	2	$\pm 15$	$\pm 30$	40	1500
LT450CU	$455 \pm 2.0$	4	2	$\pm 12.5$	$\pm 24$	40	1500
LT450DU	$455 \pm 1.5$	4	2	$\pm 10$	$\pm 20$	40	1500
LT450EU	$455 \pm 1.5$	6	2	$\pm 7.5$	$\pm 15$	40	1500
LT450FU	$455 \pm 1.5$	6	2	$\pm 6$	$\pm 12.5$	40	2000
LT450GU	$455 \pm 1.5$	6	2	$\pm 4.5$	$\pm 10$	40	2000
LT450HU	$455 \pm 1.0$	6	2	$\pm 3$	$\pm 9$	40	2000
LT450IU	$455 \pm 1.0$	6	2	$\pm 2$	$\pm 7.5$	40	2000
LT450HTU	$455 \pm 1.0$	6	2	$\pm 3$	$\pm 9$	60	2000

DIMENSION (mm)



TEST CIRCUIT



CHARACTERISTICS

