

Crystal Oscillator

SERIES 7N, SEAM SEALED OSCILLATOR 5X3.2MM SURFACE MOUNT PACKAGE

FEATURE

- Broad frequency range from 1.54MHz to 125MHz
- Compact and thin ceramic package with metalized surface mounting and automatically loaded
- Reflow solder is possible
- Lower noise and current with reduced power consumption
- Built-in C-MOS IC with tri-state function
- 5V and 3.3V supply model available
- Ideally suited designed for use in PCs, NB, PCMCIA Cards, Palmtop Computer, Portable Applications

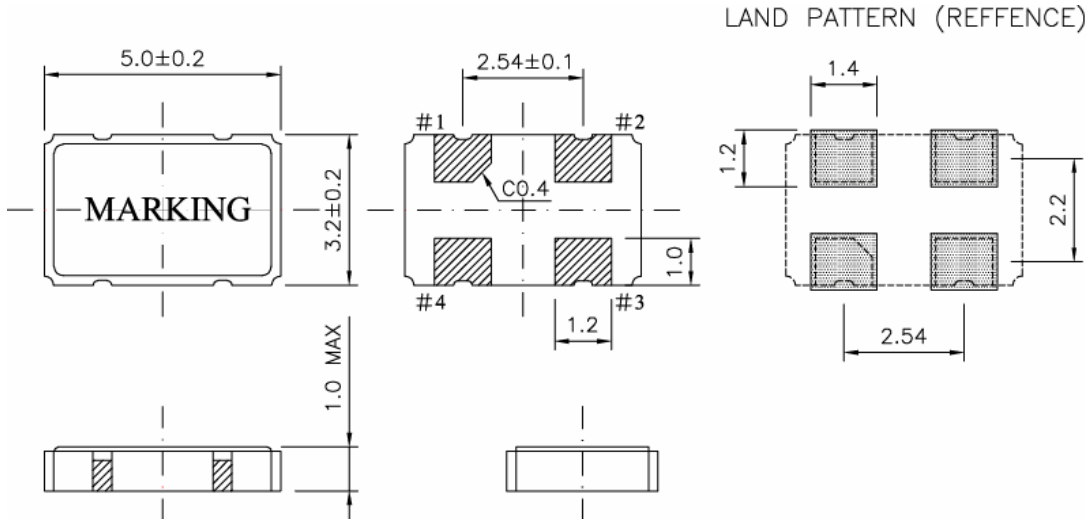
ELECTRICAL SPECIFICATIONS

Parameters	Condition\Model	7NC1	7NC2	7NC3	7NC4
Fan Out Type		TTL/CMOS	CMOS	TTL	TTL
Supply Voltage		5.0V	3.3V	5.0V	3.3V
Frequency Range		1.554MHz to 125MHz			
Operating Temperature		0-70°C, -20-70°C, -40-85°C			
Input Current	Frequency Range	1.544~31.999MHz 35mA max (15pF) 40mA max (50pF) 32~125MHz 45mA max (15pF) 55mA max (50pF)	1.544~31.999MHz 25mA max 32~125MHz 40mA max	1.544~31.999MHz 30mA max 32~125MHz 45mA max	1.544~31.999MHz 25mA max 32~125MHz 40mA max
Frequency Stability	All Conditions	±25, ±50, ±100ppm			
Symmetry	AT 1/2 Vdd	40/60% Max			
Output Voltage	VoI(max)	0.4V/0.5V	0.33V	0.5V	0.33V
	VoH(min)	2.4V/4.5V	2.97V	4.5V	2.97V
Rise/Fall Time	AT 0.1Vdd~0.9Vdd	10ns max			
Driving Ability	10 LSTTL Load max			15pF	15pF
	CMOS load max	15pF/50pF	15pF		
	TTL load max	10TTL			
Start-up Time	Load RANGE	10ms max (15pF) / 5ms (50pF)			
E/D Function	#1 OPEN	PIN #3 ACTIVE			
	#1 >=2.2V	PIN #3 ACTIVE			
	#1 <=0.8V	PIN #3 INACTIVE			
PAD Connection		PIN#1 E/D		PIN#3 OUT	
		PIN#2 GND		PIN#4 Vdd	

Crystal Oscillator

SERIES 7N, SEAM SEALED OSCILLATOR 5X3.2MM SURFACE MOUNT PACKAGE

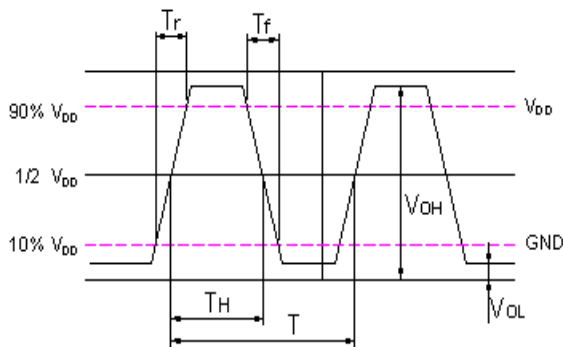
MARKING AND DIMENSIONS



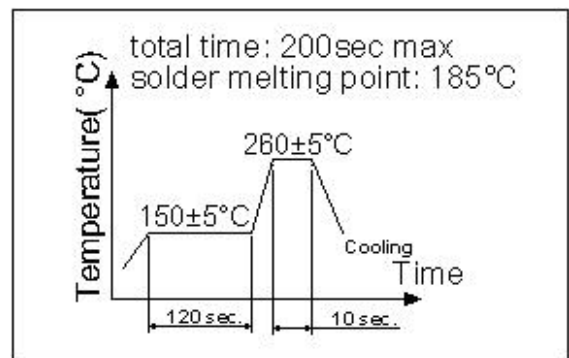
PIN NO CONNECTION

- # 1 N.C.(INH)
- # 2 GND
- # 3 OUTPUT
- # 4 +VCC

WAVEFORM CONDITIONS



REFLOW CONDITION



PART NUMBER

SJK-	7NC2	3.6864	50	B
	7NC1	Frequency	Frequency	Operating
	7NC2	3.6864: 3.6864	tolerance	Temperature
	7NC3	MHz	e.g.	A: -70°C
	7NC4		50: ±50ppm	B: -20-70°C
				C: -40-85°C